



**Electrolux**  
PROFESSIONAL

**Modular Cooking Range Line  
thermaline 90 - Sink unit on closed  
base, 1 Side (Marine)**

ITEM # \_\_\_\_\_

MODEL # \_\_\_\_\_

NAME # \_\_\_\_\_

SIS # \_\_\_\_\_

AIA # \_\_\_\_\_



589898 (MCZAGAD30M)

Sink Unit on Closed Base,  
one-side operated, Marine  
feet

### Short Form Specification

Item No. \_\_\_\_\_

Sink unit on closed base, with a large stainless steel tap, constructed according to DIN 18860\_2 with 20 mm drop nose top and 70 mm recessed plinth. Internal frame for heavy duty sturdiness in stainless steel. 2 mm top in 1.4301 (AISI 304). Flat surface construction, easily cleanable. THERMODUL connection system enables seamless worktop when units are connected and avoids soil penetrating. IPX5 water resistant certification. Configuration: Freestanding, One-side operated.

### Main Features

- Large stainless steel tap.
- All major components may be easily accessed from the front.
- THERMODUL connection system creates a seamless work top when units are connected to each other thus avoiding soil penetrating vital components and facilitating the removal of units in case of replacement or service.

### Construction

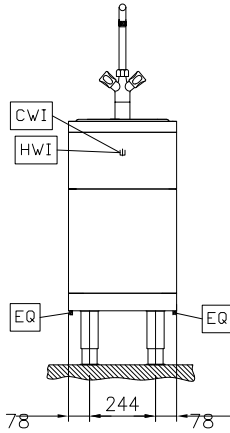
- IPX5 water resistance certification.
- Fitted on a closed base.
- 2 mm top in 1.4301 (AISI 304).
- Unit constructed according to DIN 18860\_2 with 20 mm drop nose top and 70 mm recessed plinth.
- Flat surface construction with minimal hidden areas to easily clean all surfaces
- Internal frame for heavy duty sturdiness in stainless steel.

APPROVAL: \_\_\_\_\_

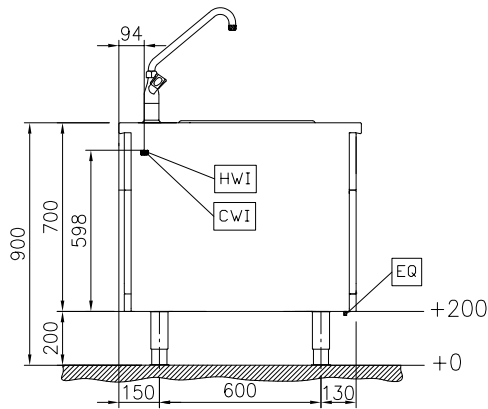


Experience the Excellence  
[www.electroluxprofessional.com](http://www.electroluxprofessional.com)

Front

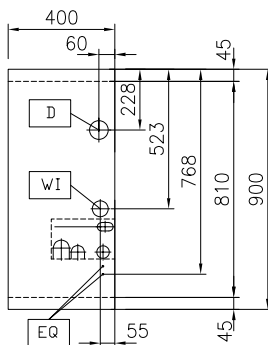


Side



CWI1 = Cold Water inlet 1 (cleaning)  
 D = Drain  
 HWI = Hot water inlet

Top


**Water:**

Inlet water line size:

589898 (MCZAGAD3OM) 3/4"

Drain line size:

1"

 Incoming Cold/hot Water line  
 size:

3/4"

**Key Information:**

External dimensions, Width: 400 mm

External dimensions, Depth: 900 mm

External dimensions, Height: 700 mm

Net weight: 38 kg

**Optional Accessories**

- |                                                                                                                                                                      |            |                          |                                                                                                                                                                                                                                                                                 |            |                          |
|----------------------------------------------------------------------------------------------------------------------------------------------------------------------|------------|--------------------------|---------------------------------------------------------------------------------------------------------------------------------------------------------------------------------------------------------------------------------------------------------------------------------|------------|--------------------------|
| • Connecting rail kit, 900mm                                                                                                                                         | PNC 912502 | <input type="checkbox"/> | • Side reinforced panel only in combination with side shelf, for back-to-back installations, left                                                                                                                                                                               | PNC 913275 | <input type="checkbox"/> |
| • Stainless steel side panel, 900x700mm, freestanding                                                                                                                | PNC 912512 | <input type="checkbox"/> | • Side reinforced panel only in combination with side shelf, for back-to-back installation, right                                                                                                                                                                               | PNC 913276 | <input type="checkbox"/> |
| • Portioning shelf, 400mm width                                                                                                                                      | PNC 912522 | <input type="checkbox"/> | • Stainless steel dividing panel, 900x700mm, (it should only be used between Electrolux Professional thermaline Modular 90 and thermaline C90)                                                                                                                                  | PNC 913672 | <input type="checkbox"/> |
| • Portioning shelf, 400mm width                                                                                                                                      | PNC 912552 | <input type="checkbox"/> | • Stainless steel side panel, 900x700mm, flush-fitting (it should only be used against the wall, against a niche and in between Electrolux Professional thermaline and ProThermetic appliances and external appliances - provided that these have at least the same dimensions) | PNC 913688 | <input type="checkbox"/> |
| • Folding shelf, 300x900mm                                                                                                                                           | PNC 912581 | <input type="checkbox"/> |                                                                                                                                                                                                                                                                                 |            |                          |
| • Folding shelf, 400x900mm                                                                                                                                           | PNC 912582 | <input type="checkbox"/> |                                                                                                                                                                                                                                                                                 |            |                          |
| • Fixed side shelf, 200x900mm                                                                                                                                        | PNC 912589 | <input type="checkbox"/> |                                                                                                                                                                                                                                                                                 |            |                          |
| • Fixed side shelf, 300x900mm                                                                                                                                        | PNC 912590 | <input type="checkbox"/> |                                                                                                                                                                                                                                                                                 |            |                          |
| • Fixed side shelf, 400x900mm                                                                                                                                        | PNC 912591 | <input type="checkbox"/> |                                                                                                                                                                                                                                                                                 |            |                          |
| • Stainless steel front kicking strip, 400mm width                                                                                                                   | PNC 912630 | <input type="checkbox"/> |                                                                                                                                                                                                                                                                                 |            |                          |
| • Stainless steel side kicking strip left and right, freestanding, 900mm width                                                                                       | PNC 912657 | <input type="checkbox"/> |                                                                                                                                                                                                                                                                                 |            |                          |
| • Stainless steel side kicking strip left and right, back-to-back, 1810mm width                                                                                      | PNC 912663 | <input type="checkbox"/> |                                                                                                                                                                                                                                                                                 |            |                          |
| • Stainless steel plinth, freestanding, 400mm width                                                                                                                  | PNC 912954 | <input type="checkbox"/> |                                                                                                                                                                                                                                                                                 |            |                          |
| • Connecting rail kit: modular 90 (on the left) to ProThermetic tilting (on the right), ProThermetic stationary (on the left) to ProThermetic tilting (on the right) | PNC 912975 | <input type="checkbox"/> |                                                                                                                                                                                                                                                                                 |            |                          |
| • Connecting rail kit: modular 80 (on the right) to ProThermetic tilting (on the left), ProThermetic stationary (on the right) to ProThermetic tilting (on the left) | PNC 912976 | <input type="checkbox"/> |                                                                                                                                                                                                                                                                                 |            |                          |
| • Endrail kit, flush-fitting, left                                                                                                                                   | PNC 913111 | <input type="checkbox"/> |                                                                                                                                                                                                                                                                                 |            |                          |
| • Endrail kit, flush-fitting, right                                                                                                                                  | PNC 913112 | <input type="checkbox"/> |                                                                                                                                                                                                                                                                                 |            |                          |
| • Endrail kit (12.5mm) for thermaline 90 units, left                                                                                                                 | PNC 913202 | <input type="checkbox"/> |                                                                                                                                                                                                                                                                                 |            |                          |
| • Endrail kit (12.5mm) for thermaline 90 units, right                                                                                                                | PNC 913203 | <input type="checkbox"/> |                                                                                                                                                                                                                                                                                 |            |                          |
| • Stainless steel side panel, left, H=700                                                                                                                            | PNC 913222 | <input type="checkbox"/> |                                                                                                                                                                                                                                                                                 |            |                          |
| • Stainless steel side panel, right, H=700                                                                                                                           | PNC 913223 | <input type="checkbox"/> |                                                                                                                                                                                                                                                                                 |            |                          |
| • T-connection rail for back-to-back installations without backsplash                                                                                                | PNC 913227 | <input type="checkbox"/> |                                                                                                                                                                                                                                                                                 |            |                          |
| • Insert profile d=900                                                                                                                                               | PNC 913232 | <input type="checkbox"/> |                                                                                                                                                                                                                                                                                 |            |                          |
| • Endrail kit, (12.5mm), for back-to-back installation, left                                                                                                         | PNC 913251 | <input type="checkbox"/> |                                                                                                                                                                                                                                                                                 |            |                          |
| • Endrail kit, (12.5mm), for back-to-back installation, right                                                                                                        | PNC 913252 | <input type="checkbox"/> |                                                                                                                                                                                                                                                                                 |            |                          |
| • Endrail kit, flush-fitting, for back-to-back installation, left                                                                                                    | PNC 913255 | <input type="checkbox"/> |                                                                                                                                                                                                                                                                                 |            |                          |
| • Endrail kit, flush-fitting, for back-to-back installation, right                                                                                                   | PNC 913256 | <input type="checkbox"/> |                                                                                                                                                                                                                                                                                 |            |                          |
| • Side reinforced panel only in combination with side shelf, for freestanding units                                                                                  | PNC 913260 | <input type="checkbox"/> |                                                                                                                                                                                                                                                                                 |            |                          |